



PAPER CRAFT

Assembly Instructions



Thank you for downloading the "YZF-R1" paper craft model. By simply following this manual while referring to the names and numbers shown on the parts sheets, you can assemble an authentic-looking replica of the YZF-R1.

- Assembly instructions: Twenty A4-sized sheets.
 - Paper craft: Twenty-two A4-sized sheets with 312 parts in all
-

These instructions apply only to the "YZF-R1". These Paper Craft parts are easier to work with when printed out on strong, thick paper (like postcard stock).

To begin

■ Tools and materials needed

-Ruler - scissors - blade cutter or "Exacto-knife" - awl or other pointed tool (for making a folding crease) - felt pen - pin set - glue - hand towel (for cleaning your fingers) - dictionary or other heavy book (to press the papers flat).

■ Items of Caution

*Take care when using sharp or pointed objects or when using bladed cutting tools. Place a heavy sheet of paper under the paper you want to cut.

*Use glue and other adhesives only in well-ventilated areas.

*When printing, use a slightly reduced font size. There may be differences in dimensions, depending on the type of printer used.

How to assemble

*Follow the working method and markings carefully.

*Cut carefully along the outer line with cutting blade, Exacto-knife or scissors.

One - point Advice

*Cut carefully with cutting blade, Exacto-knife or scissors.

*For folding parts, first use an awl or other pointed tool to make a light crease along the dotted or solid line. This will make the folds straight. Avoid making strong creases, as this will cause the paper to tear.

*As an adhesive, white wood glue is recommended. Avoid over application as this may cause the paper to wrinkle.

*Before beginning assembly, test adhesive amounts on extra paper.

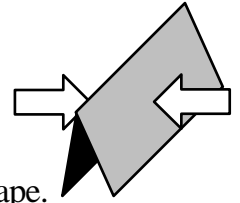
*Occasionally, white spots will be apparent on folds and cuts. Use a marker or pencil to fill in these spots. It is recommended that this be done after each stage of assembly because coloring becomes more difficult once parts are assembled.

Basic working method and markings

————— Solid lines

Fold along these lines.

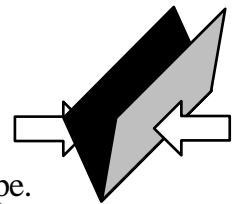
The printed surface should be on the outside of the folded shape.



----- Broken lines

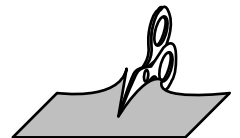
Fold along these lines.

The printed surface should be on the inside of the folded shape.

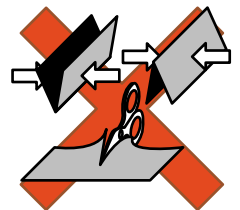


..... Dotted line

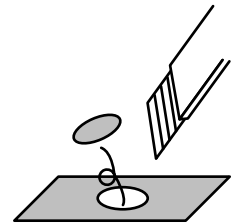
Cut along these lines.



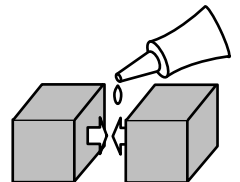
Do not fold or cut the parts marked X.



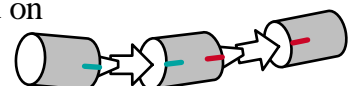
Cut out parts marked with an asterisk(*).



Red dots are the reference positions for gluing surfaces.



Please glue them by aligning the red and red/blue and blue parts if they are marked on the paper.



1 Assembling the Front Cowl & Front Fender

First, assemble each component by following the working method and markings. Then, refer to the illustration and photos below to glue the parts together.

Indication of Working Methods

 Fold or Curve  Glue

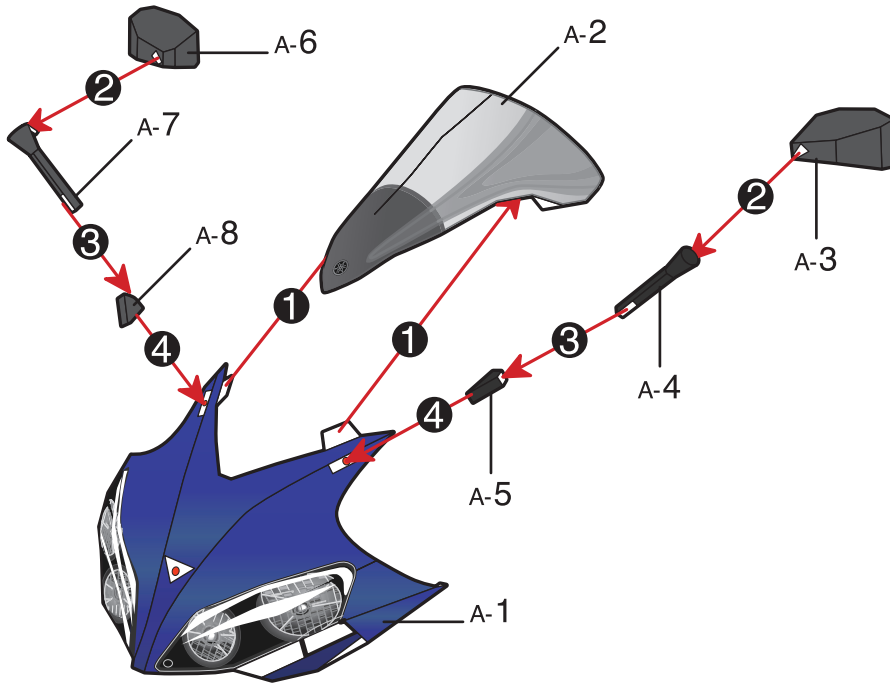
Front Cowl

Sheet A, 8 parts in total

Fold each relevant part according to the assembly symbols.

Please use the ● dots on each component as reference when gluing surfaces.

Glue in order from ① to ④ on the graphic.

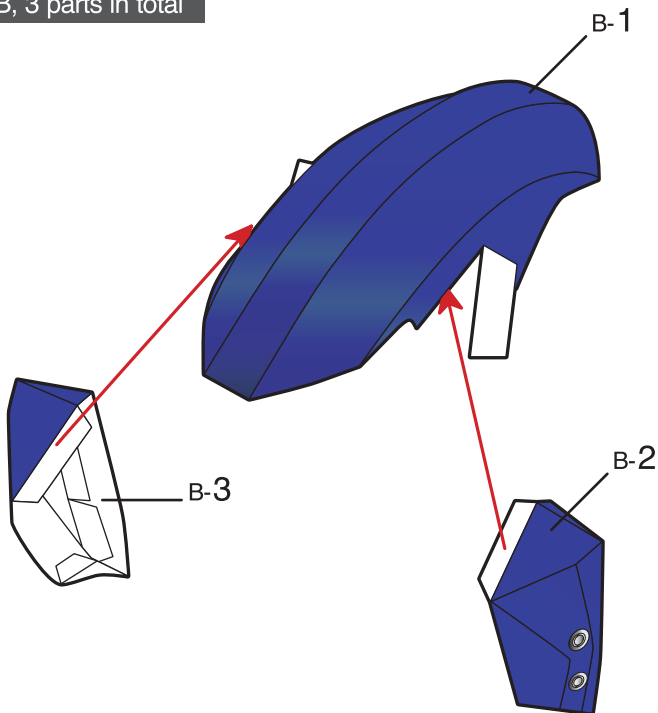


Reference photo

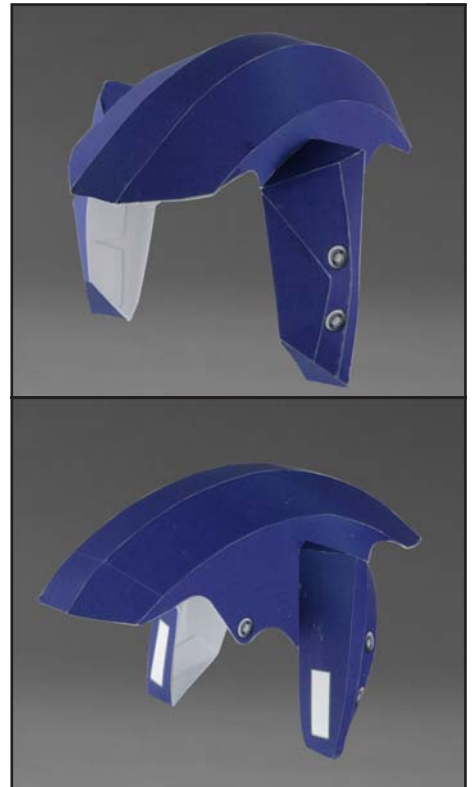


Front Fender

Sheet B, 3 parts in total



Reference photo



2 Assembling the Meter & Brake Caliper

First, assemble each component by following the working method and markings. Then, refer to the illustration and photos below to glue the parts together.

Indication of Working Methods

---> Fold or Curve -> Glue

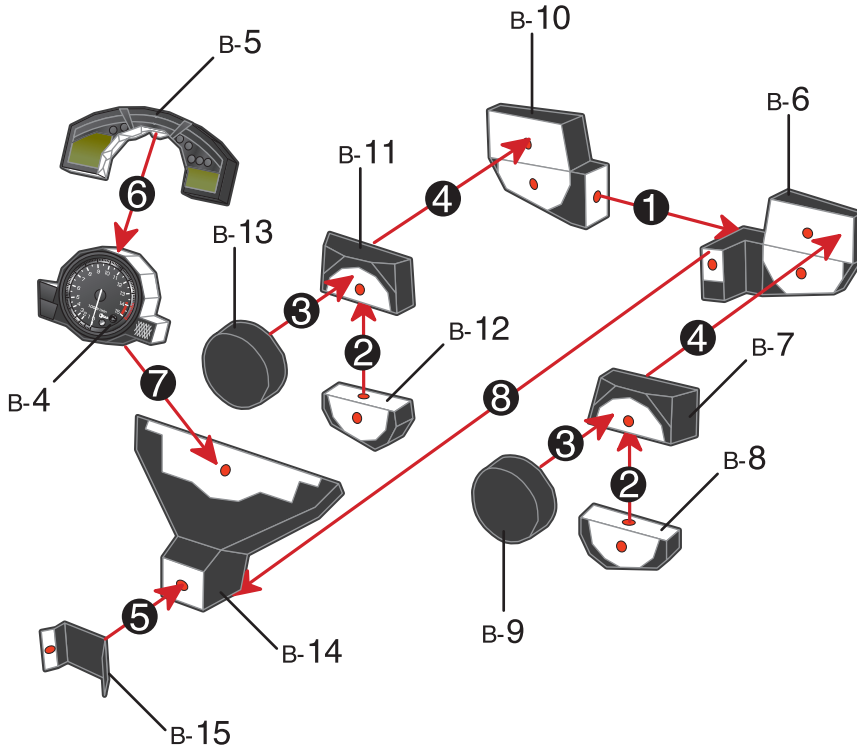
Meter

Sheet B, 12 parts in total

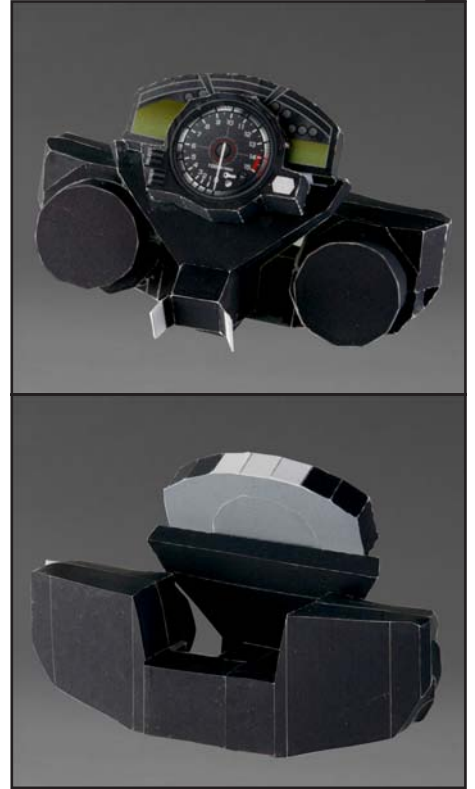
Fold each relevant part according to the assembly symbols.

Please use the ● dots on each component as reference when gluing surfaces.

Glue in order from ① to ⑧ on the graphic.



Reference photo

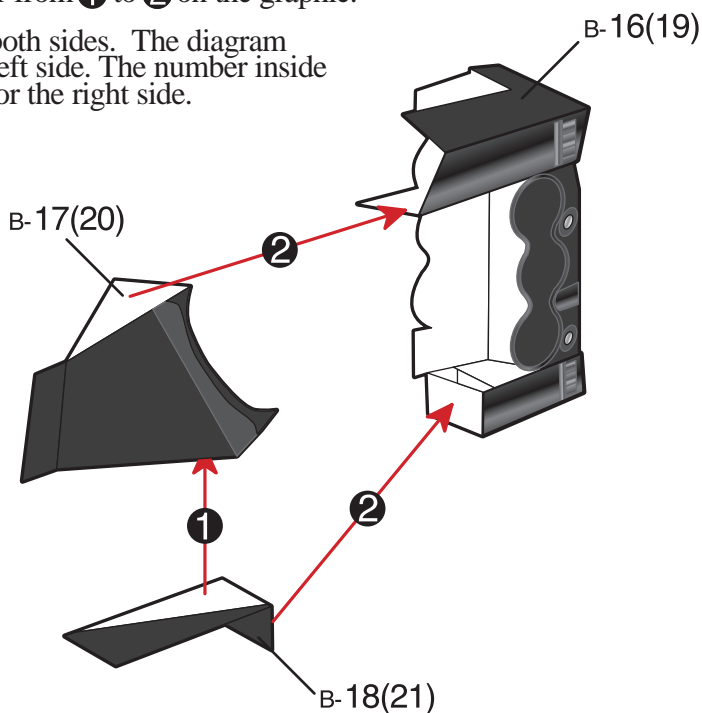


Brake Caliper

Sheet B, 6 parts in total

Glue in order from ① to ② on the graphic.

*Assemble both sides. The diagram shows the left side. The number inside the () is for the right side.



Reference photo



3 Assembling the Steering

First, assemble each component by following the working method and markings. Then, refer to the illustration and photos below to glue the parts together.

Indication of Working Methods ---> Fold or Curve -> Glue

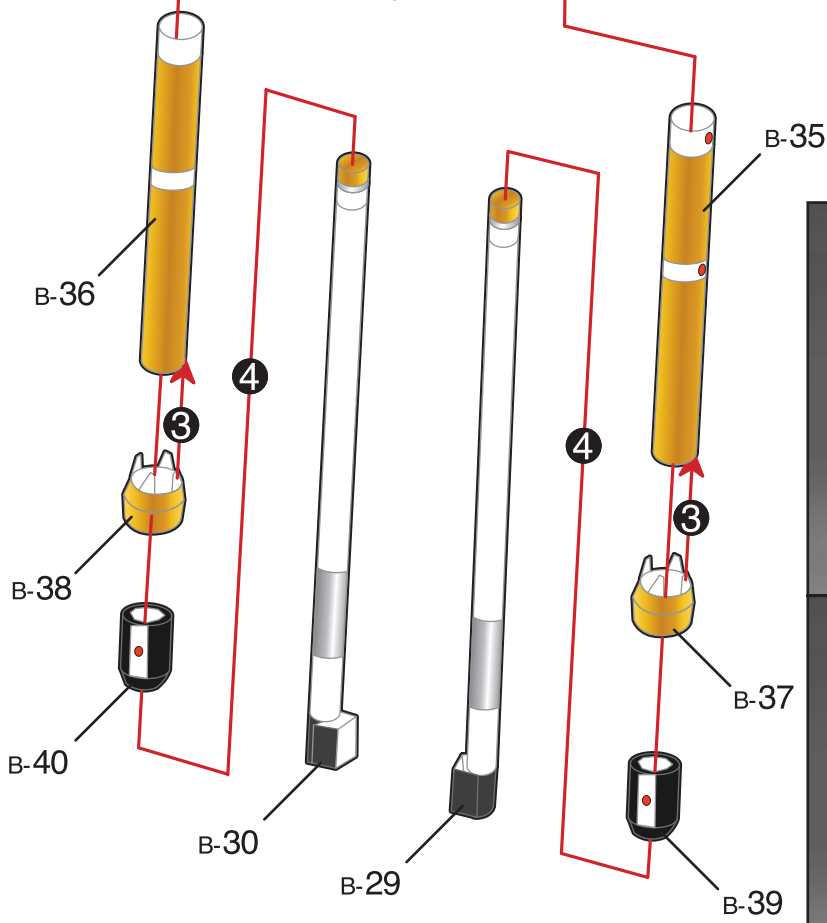
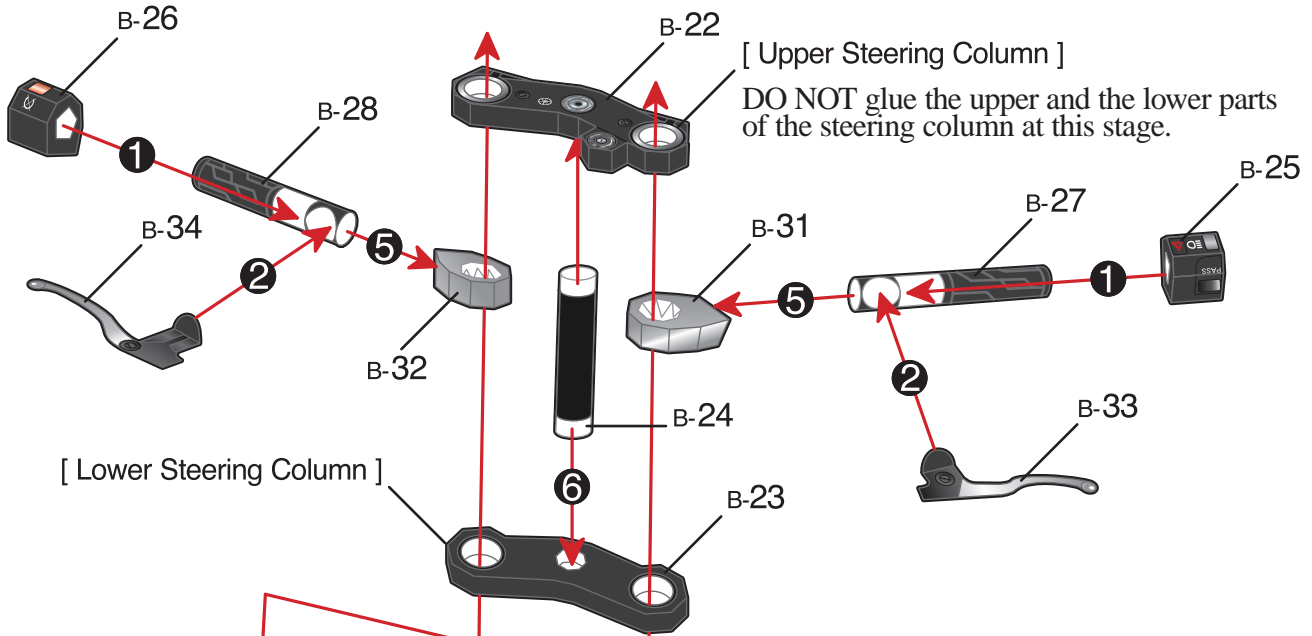
Steering

Sheet B, 19 parts in total

Fold each relevant part according to the assembly symbols.

Please use the ● dots on each component as reference when gluing surfaces.

Glue in order from ❶ to ❹ on the graphic.



Reference photo



4 Assembling the Frame 1

First, assemble each component by following the working method and markings. Then, refer to the illustration and photos below to glue the parts together.

Indication of Working Methods

 Fold or Curve  Glue

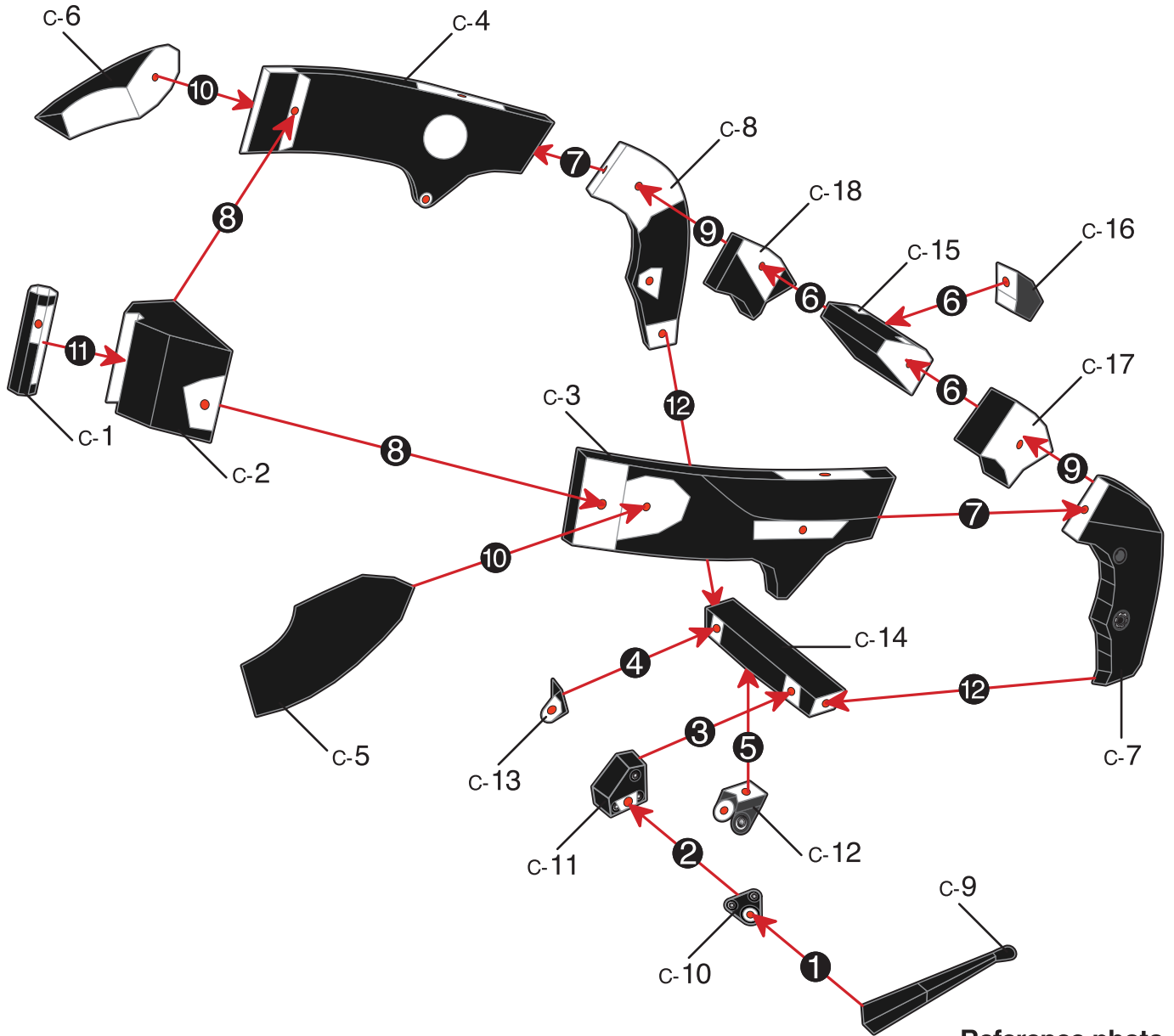
Frame 1

Sheet C, 18 parts in total

Fold each relevant part according to the assembly symbols.

Please use the ● dots on each component as reference when gluing surfaces.

Glue in order from ① to ⑫ on the graphic.



Reference photo



5 Assembling the Frame 2 & Fuel Tank

First, assemble each component by following the working method and markings. Then, refer to the illustration and photos below to glue the parts together.

Indication of Working Methods Fold or Curve Glue

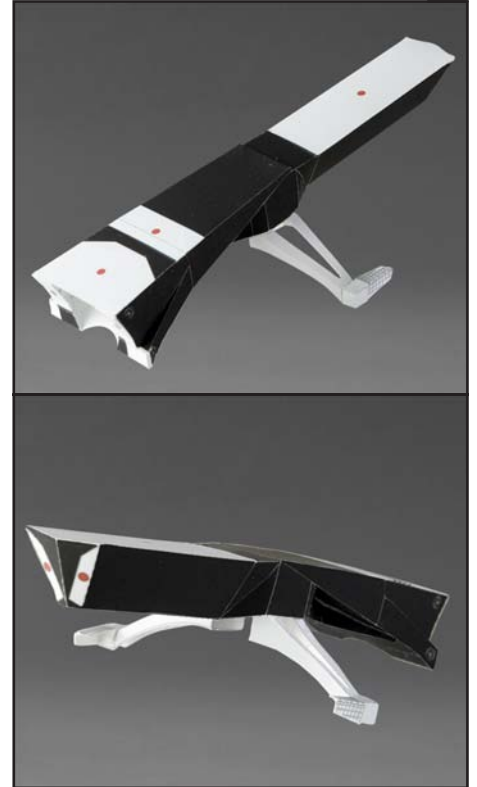
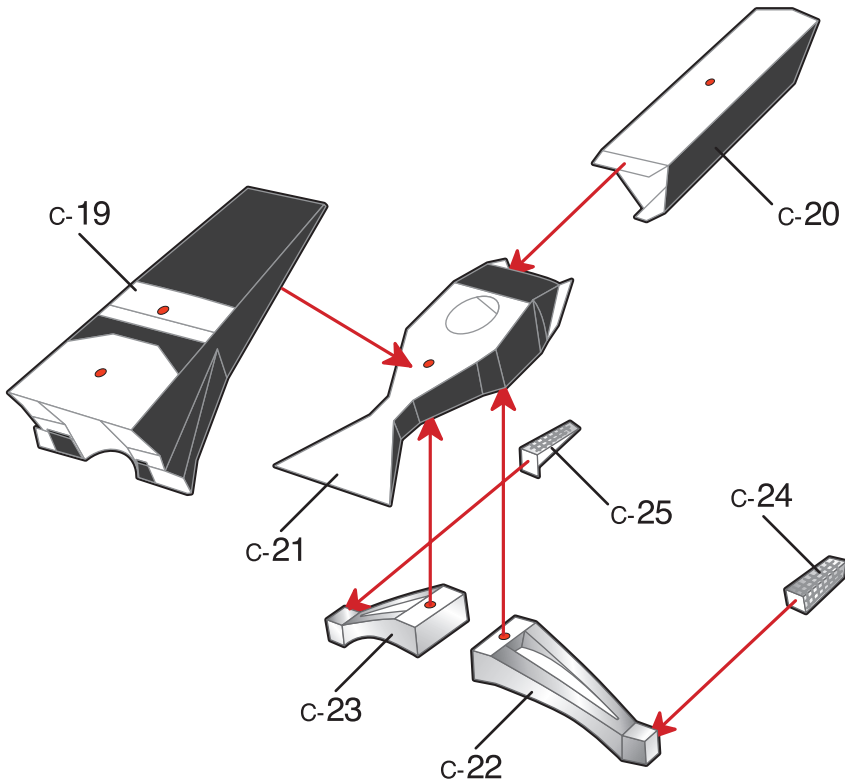
Frame 2

Sheet B, 7 parts in total

Fold each relevant part according to the assembly symbols.

Please use the ● dots on each component as reference when gluing surfaces.

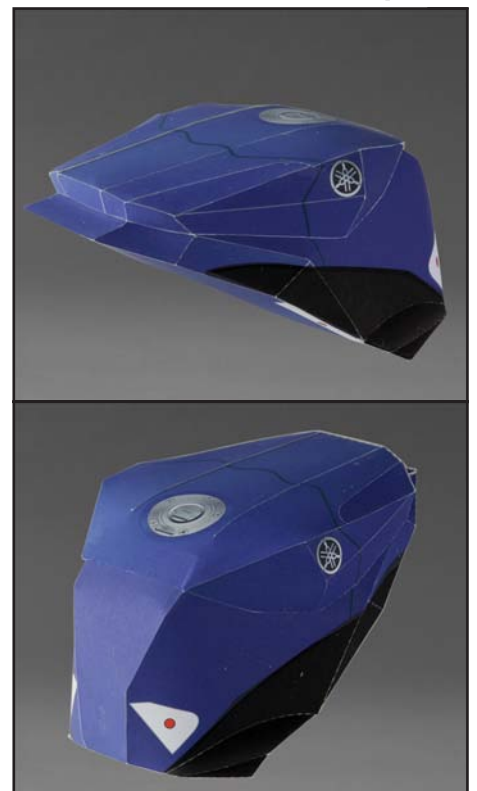
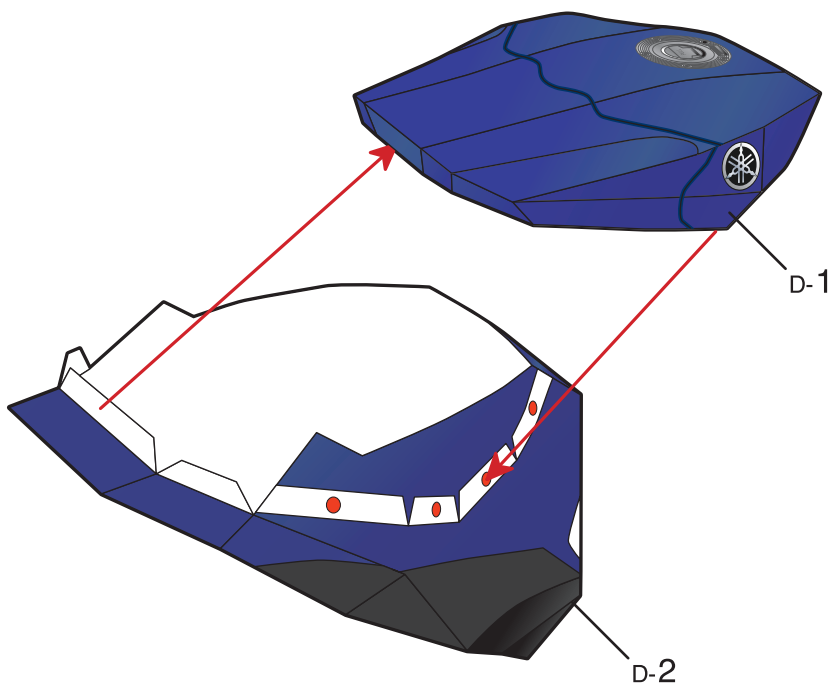
Reference photo



Fuel Tank

Sheet D, 2 parts in total

Reference photo



6 Assembling the Under Cowl

First, assemble each component by following the working method and markings. Then, refer to the illustration and photos below to glue the parts together.

Indication of Working Methods - - -> Fold or Curve -> Glue

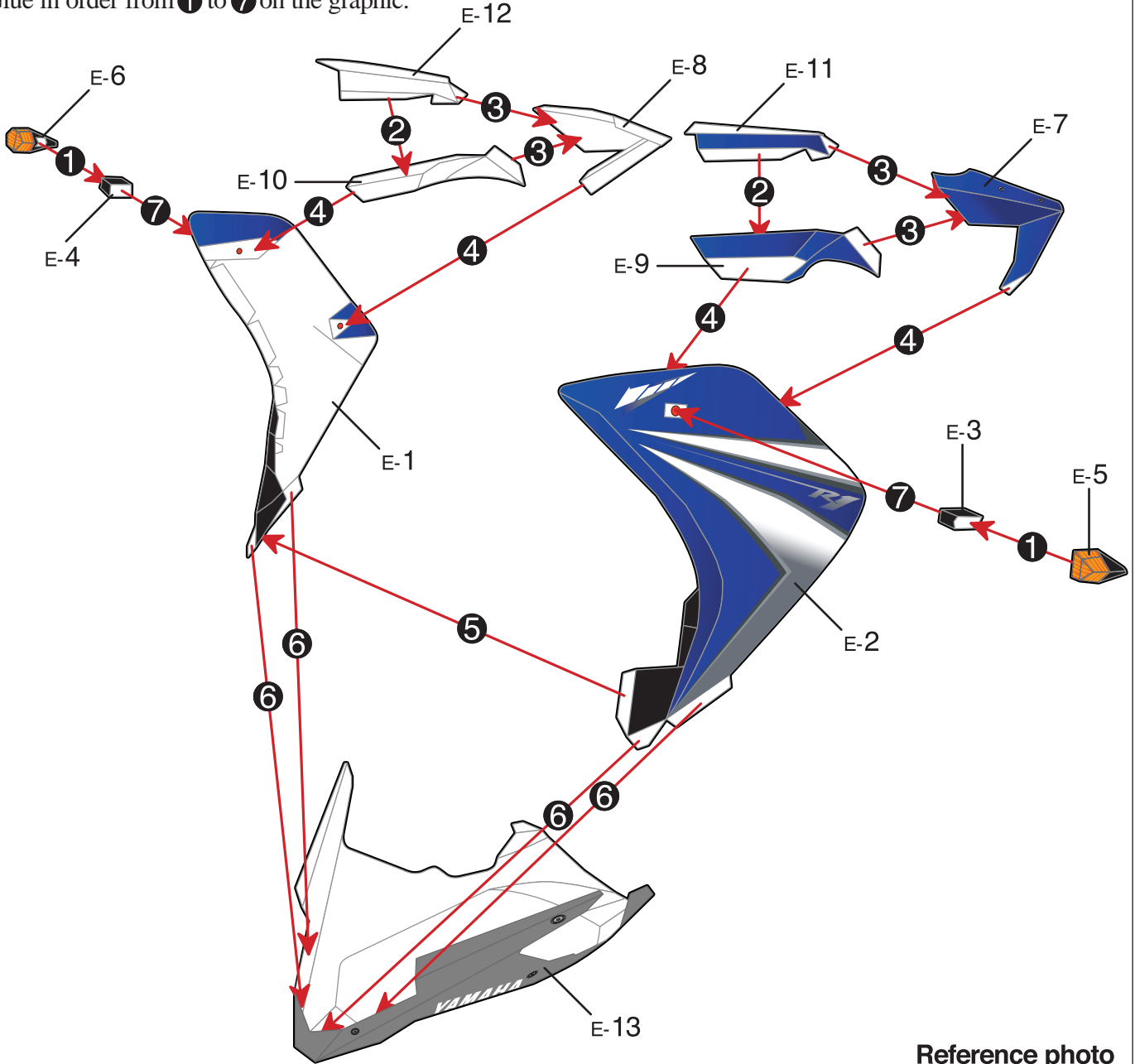
Under Cowl

Sheet E, 13 parts in total

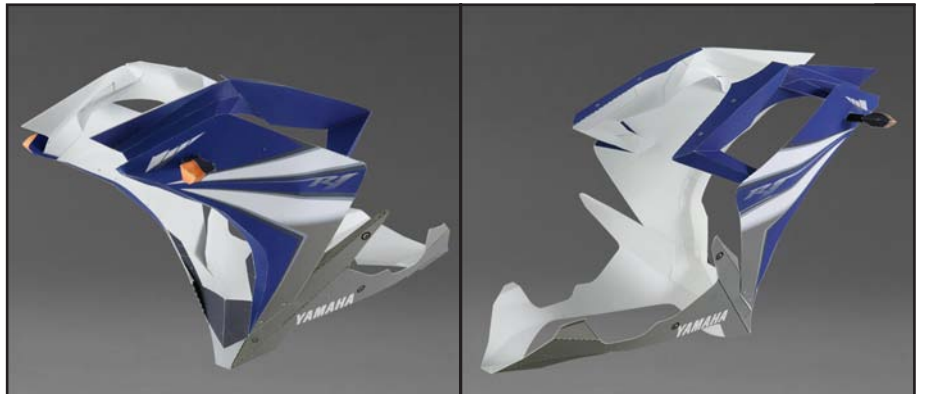
Fold each relevant part according to the assembly symbols.

Please use the ● dots on each component as reference when gluing surfaces.

Glue in order from ① to ⑦ on the graphic.



Reference photo



7 Assembling the Seat Cowl & Taillight

First, assemble each component by following the working method and markings. Then, refer to the illustration and photos below to glue the parts together.

Indication of Working Methods Fold or Curve Glue

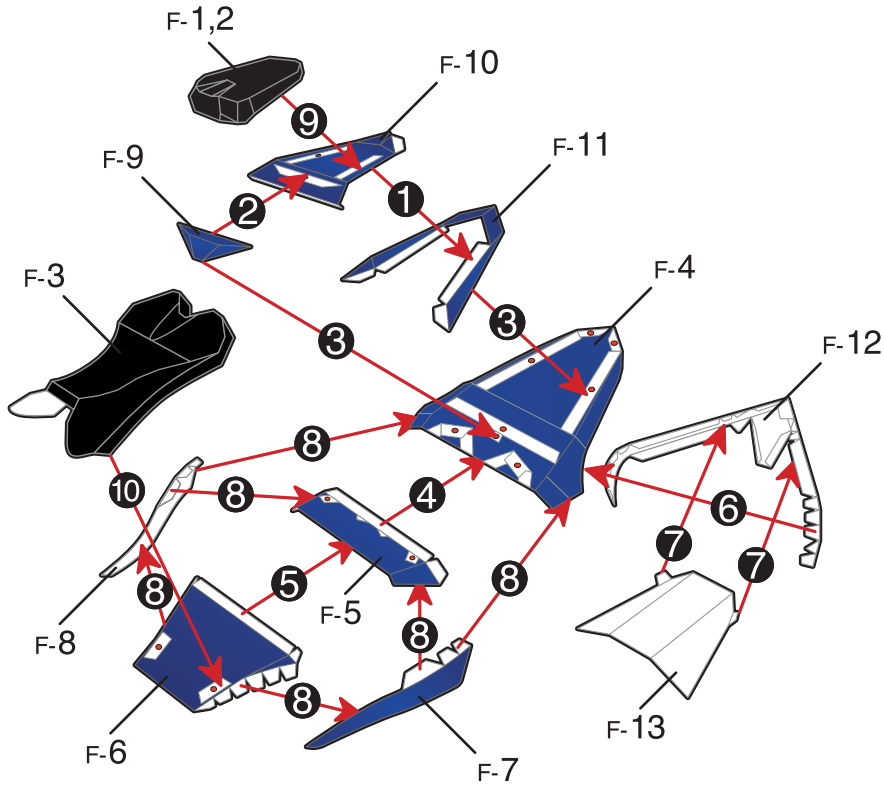
Seat Cowl

Sheet F, 13 parts in total

Fold each relevant part according to the assembly symbols.

Please use the ● dots on each component as reference when gluing surfaces.

Glue in order from ① to ⑩ on the graphic.



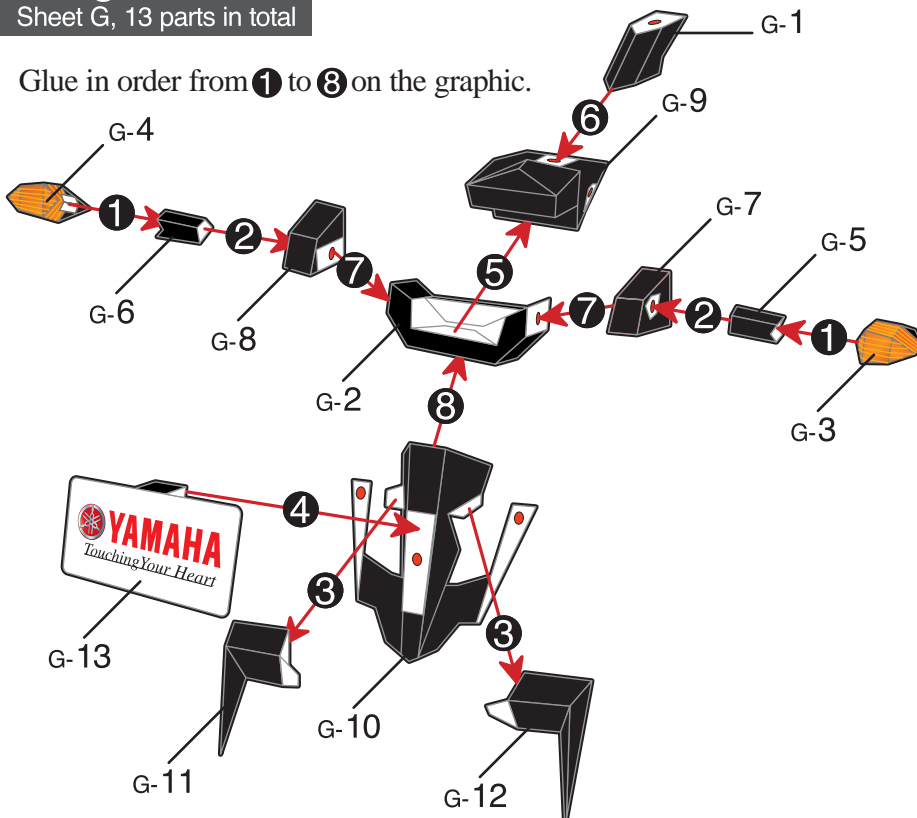
Reference photo



Taillight

Sheet G, 13 parts in total

Glue in order from ① to ⑧ on the graphic.



Reference photo



8 Assembling the Rear Suspension & Rear Arm

First, assemble each component by following the working method and markings. Then, refer to the illustration and photos below to glue the parts together.

Indication of Working Methods

---> Fold or Curve -> Glue

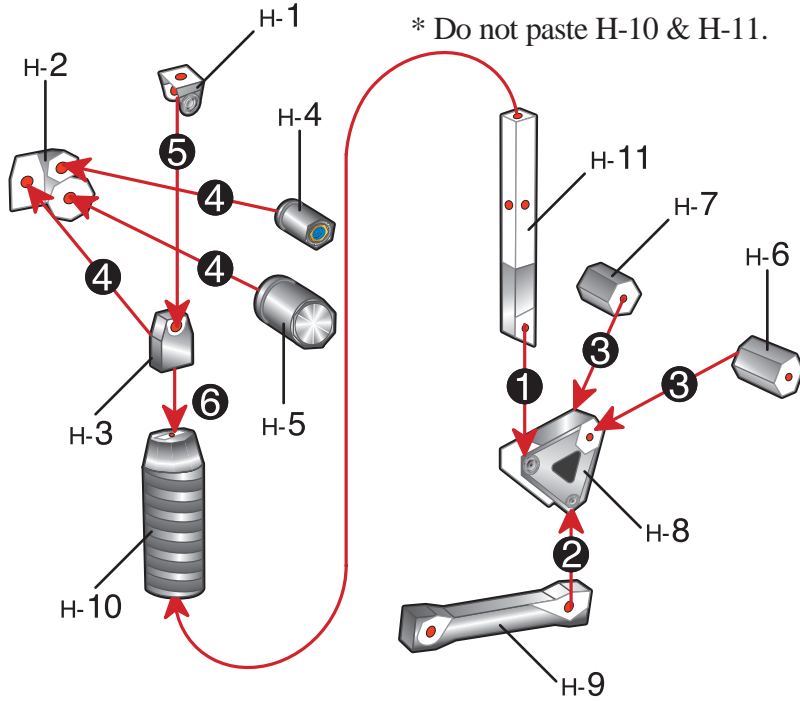
Rear Suspension

Sheet C, 12 parts in total

Fold each relevant part according to the assembly symbols.

Please use the ● dots on each component as reference when gluing surfaces.

Glue in order from 1 to 6 on the graphic.



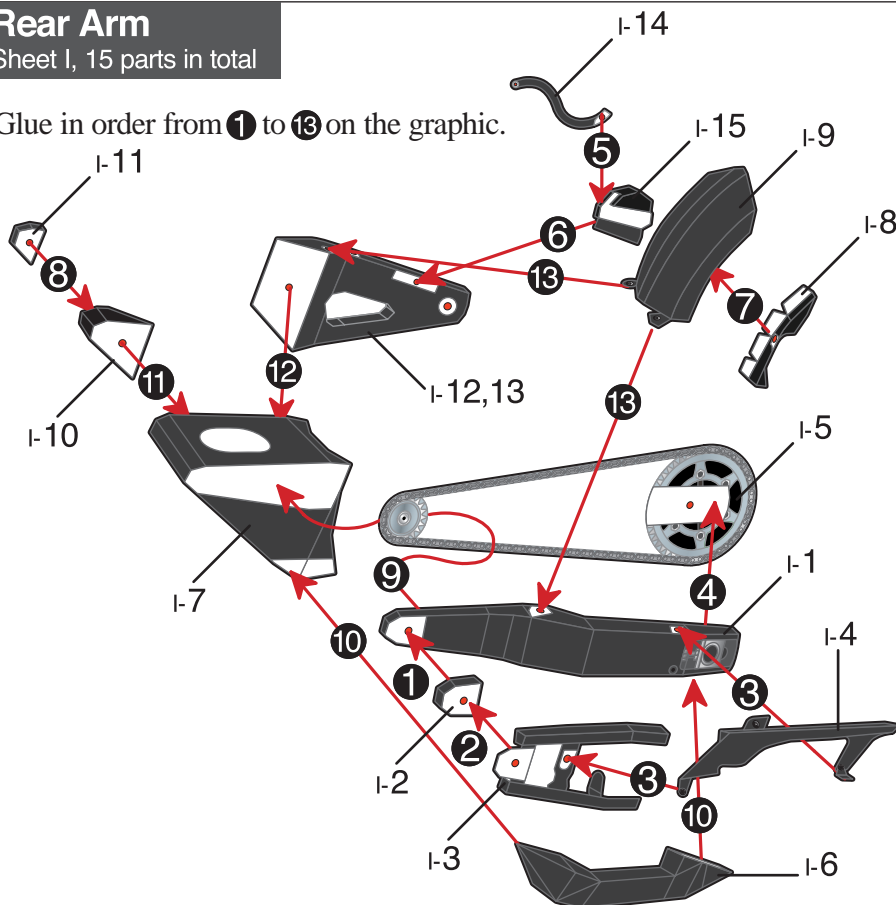
Reference photo



Rear Arm

Sheet I, 15 parts in total

Glue in order from 1 to 13 on the graphic.



Reference photo



9 Assembling the Engine

First, assemble each component by following the working method and markings. Then, refer to the illustration and photos below to glue the parts together.

Indication of Working Methods

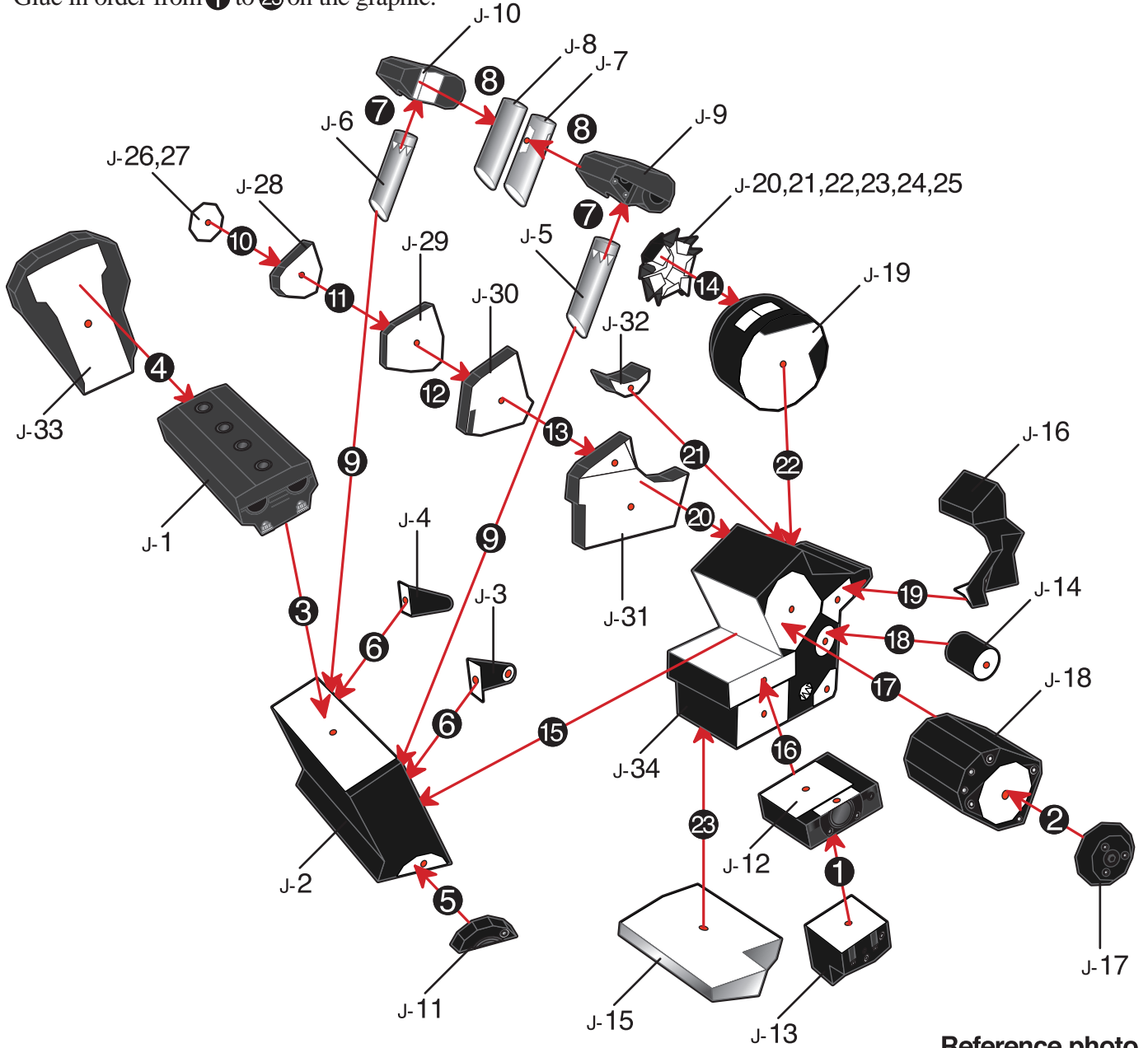
 Fold or Curve

 Glue

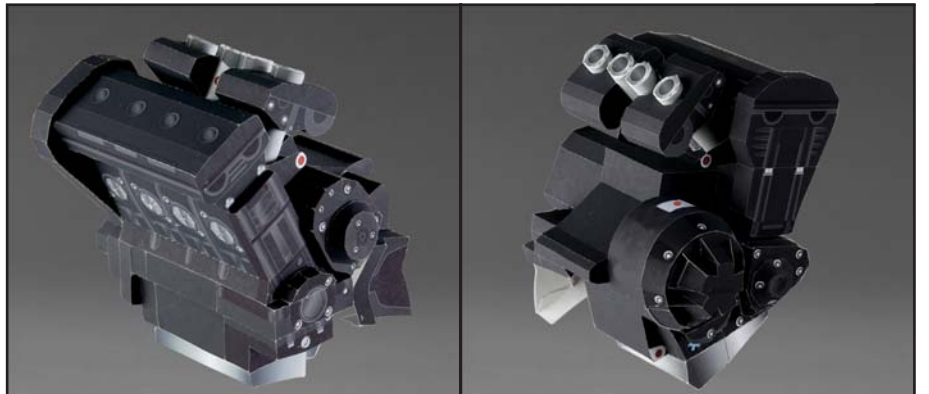
Engine

Sheet J, 34 parts in total

Glue in order from ① to ②③ on the graphic.



Reference photo



10 Assembling the Radiator & Stand

First, assemble each component by following the working method and markings. Then, refer to the illustration and photos below to glue the parts together.

Indication of Working Methods

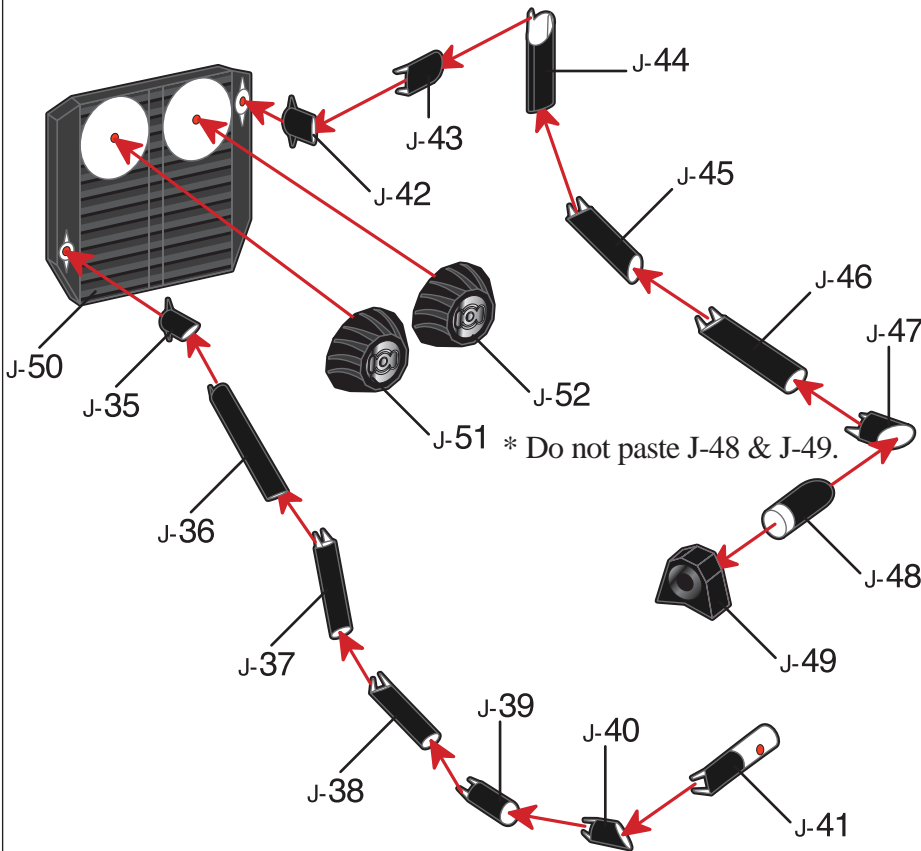
---> Fold or Curve -> Glue

Radiator

Sheet J, 18 parts in total

Fold each relevant part according to the assembly symbols.

Please use the ● dots on each component as reference when gluing surfaces.



Reference photo



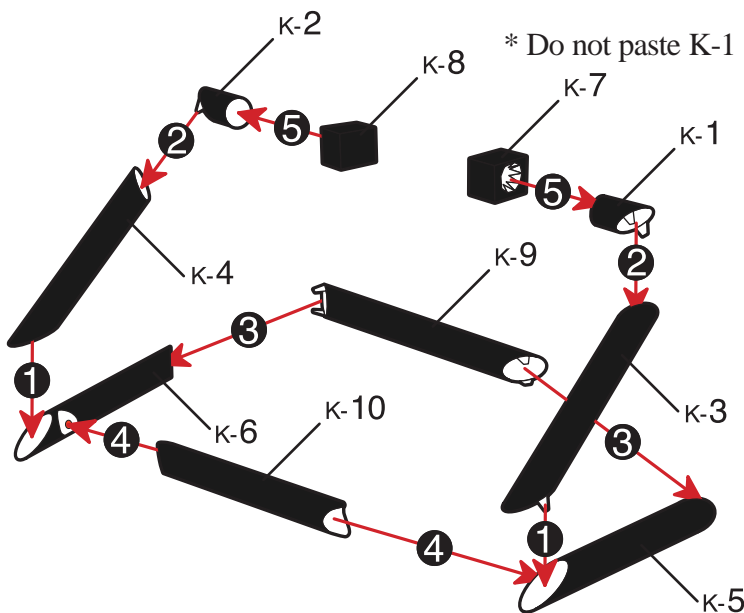
Stand

Sheet K, 10 parts in total

Glue in order from ① to ⑤ on the graphic.

* Do not paste K-2 & K-8.

* Do not paste K-1 & K-7.



Reference photo



11 Assembling the Exhaust Pipes

First, assemble each component by following the working method and markings. Then, refer to the illustration and photos below to glue the parts together.

Indication of Working Methods

---> Fold or Curve

→ Glue

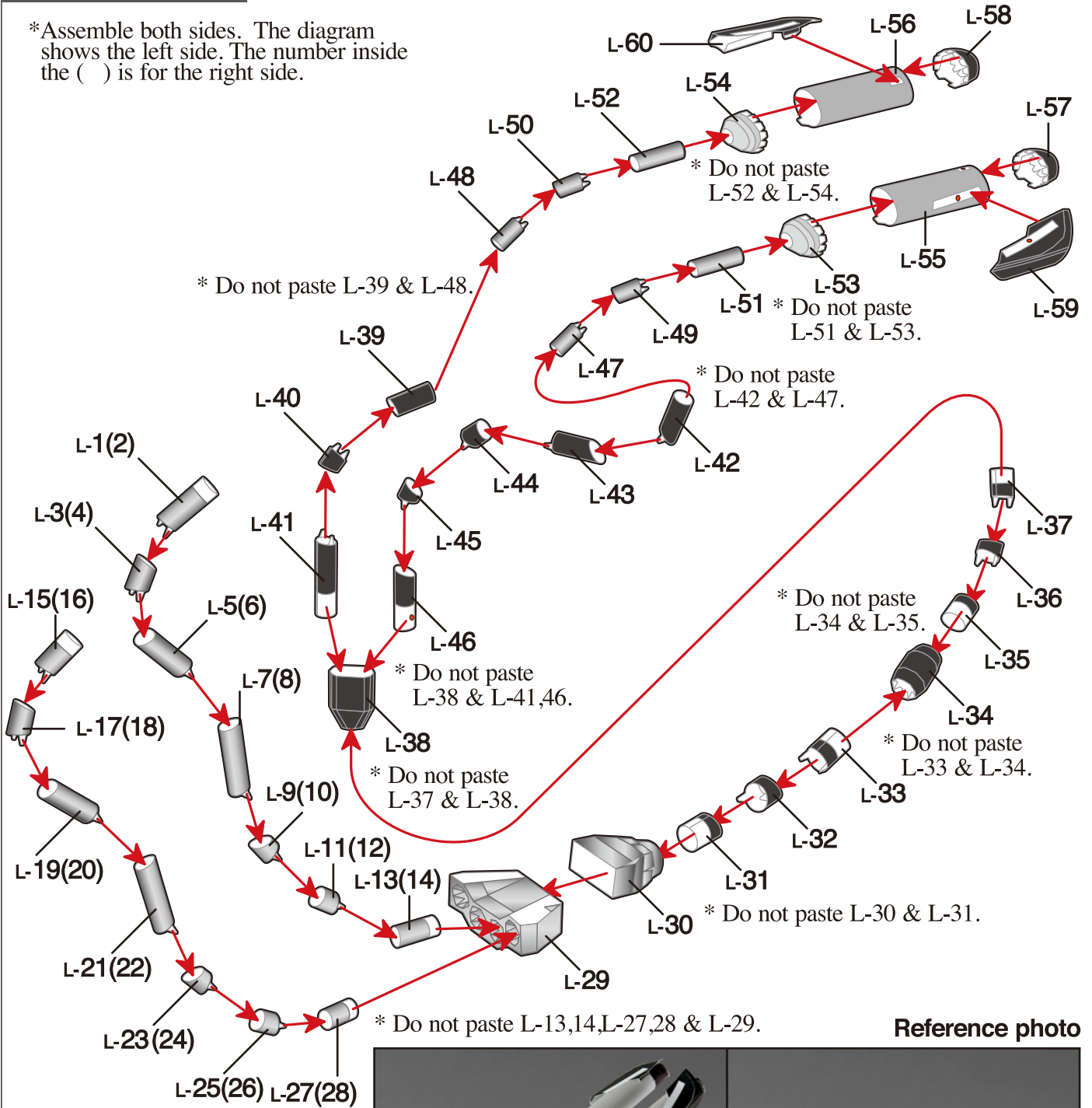
Exhaust Pipes

Sheet L, 60 parts in total

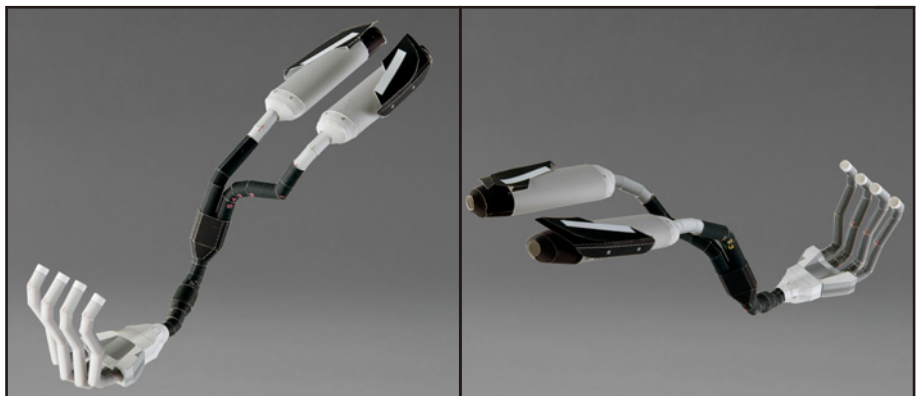
Fold each relevant part according to the assembly symbols.

Please use the ● dots on each component as reference when gluing surfaces.

*Assemble both sides. The diagram shows the left side. The number inside the () is for the right side.



Reference photo



12 Assembling the Left footrests & Right footrests

First, assemble each component by following the working method and markings. Then, refer to the illustration and photos below to glue the parts together.

Indication of Working Methods

 Fold or Curve

 Glue

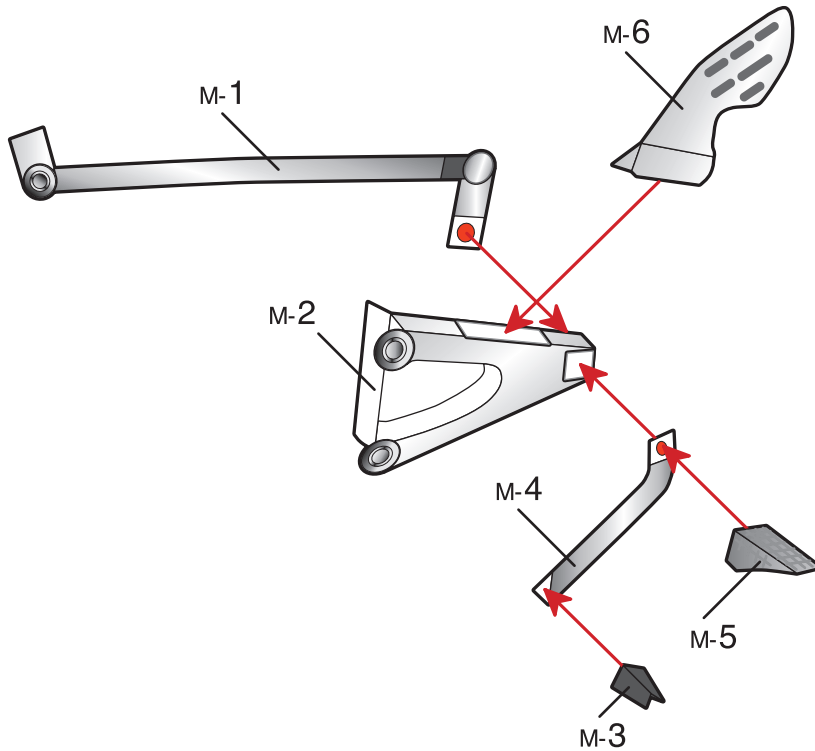
Left footrests

Sheet M, 6 parts in total

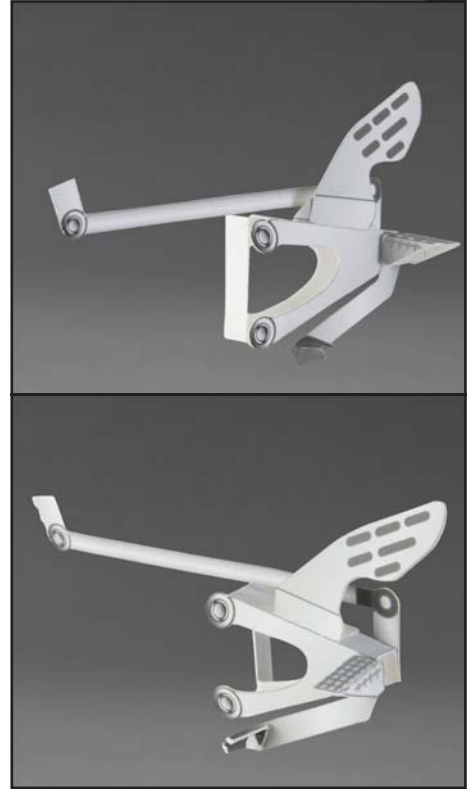
Fold each relevant part according to the assembly symbols.

Please use the ● dots on each component as reference when gluing surfaces.

Glue in order from ❶ to ❹ on the graphic.



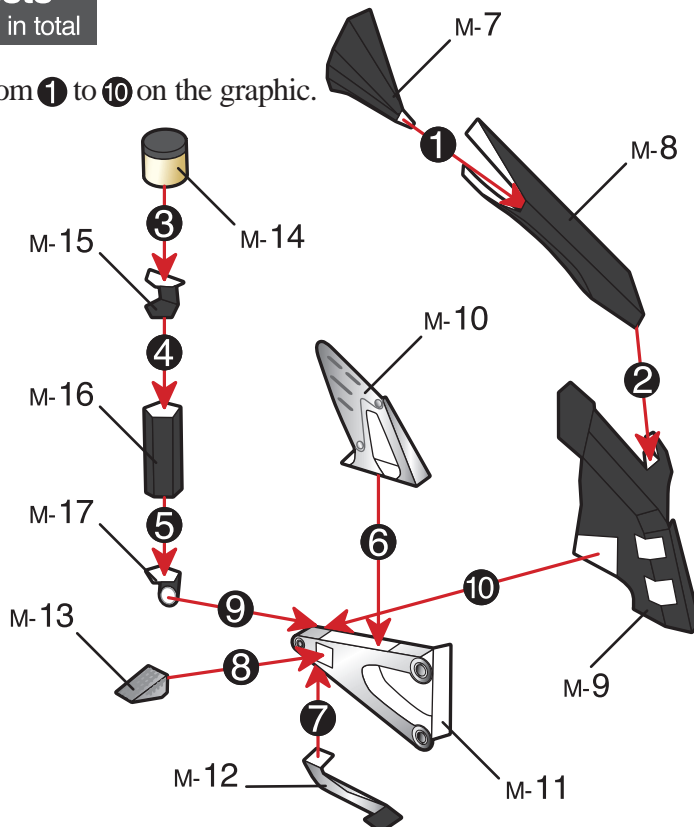
Reference photo



Right footrests

Sheet M, 11 parts in total

Glue in order from ❶ to ❿ on the graphic.



Reference photo



13 Assembling the Front Tire

First, assemble each component by following the working method and markings. Then, refer to the illustration and photos below to glue the parts together.

Indication of Working Methods ---> Fold or Curve --> Glue

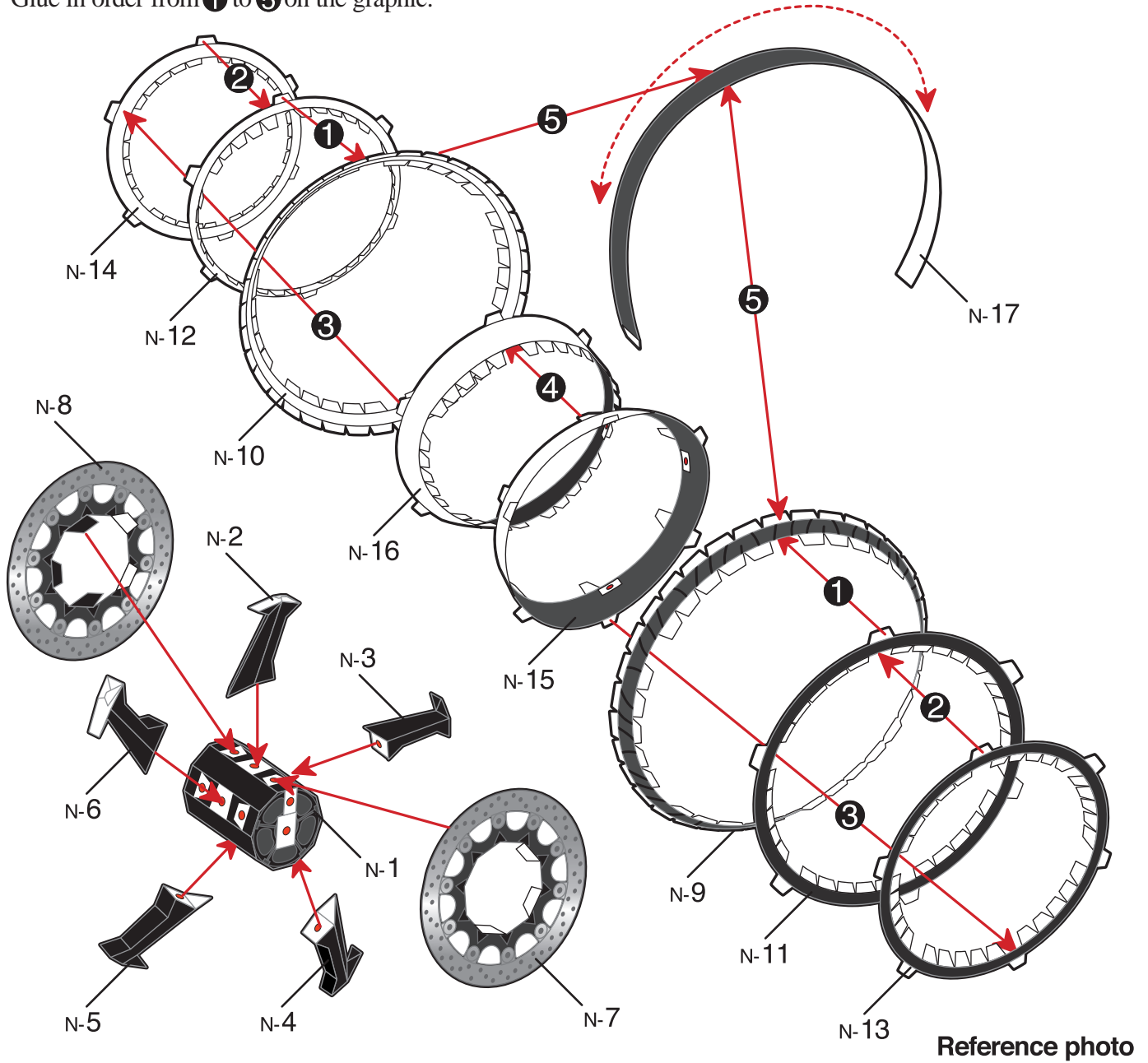
Front Tire

Sheet N, 17 parts in total

Fold each relevant part according to the assembly symbols.

Please use the ● dots on each component as reference when gluing surfaces.

Glue in order from ① to ⑤ on the graphic.



14 Assembling the Rear Tire

First, assemble each component by following the working method and markings. Then, refer to the illustration and photos below to glue the parts together.

Indication of Working Methods

 Fold or Curve

 Glue

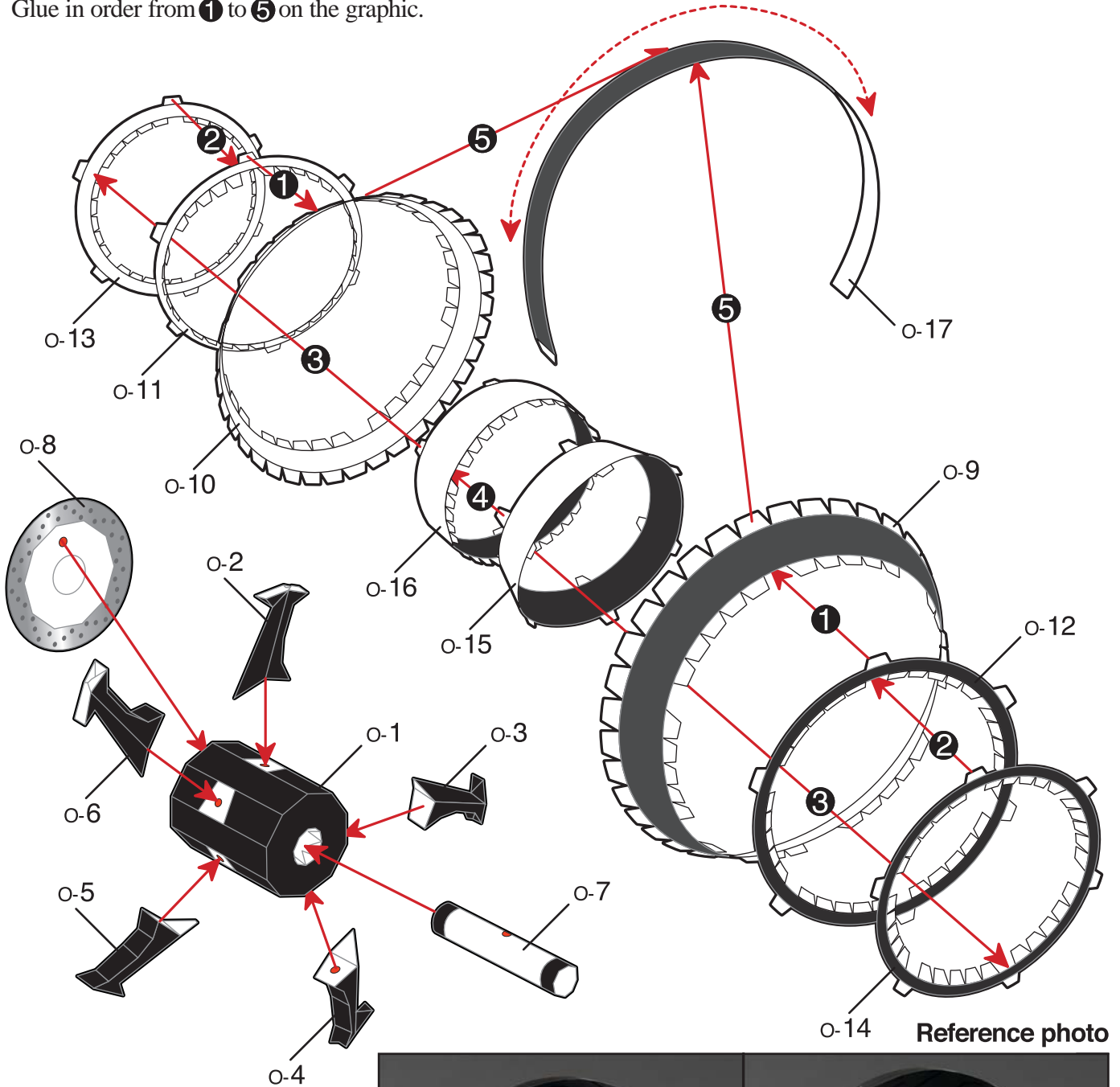
Rear Tire

Sheet O, 17 parts in total

Fold each relevant part according to the assembly symbols.

Please use the ● dots on each component as reference when gluing surfaces.

Glue in order from ① to ⑤ on the graphic.

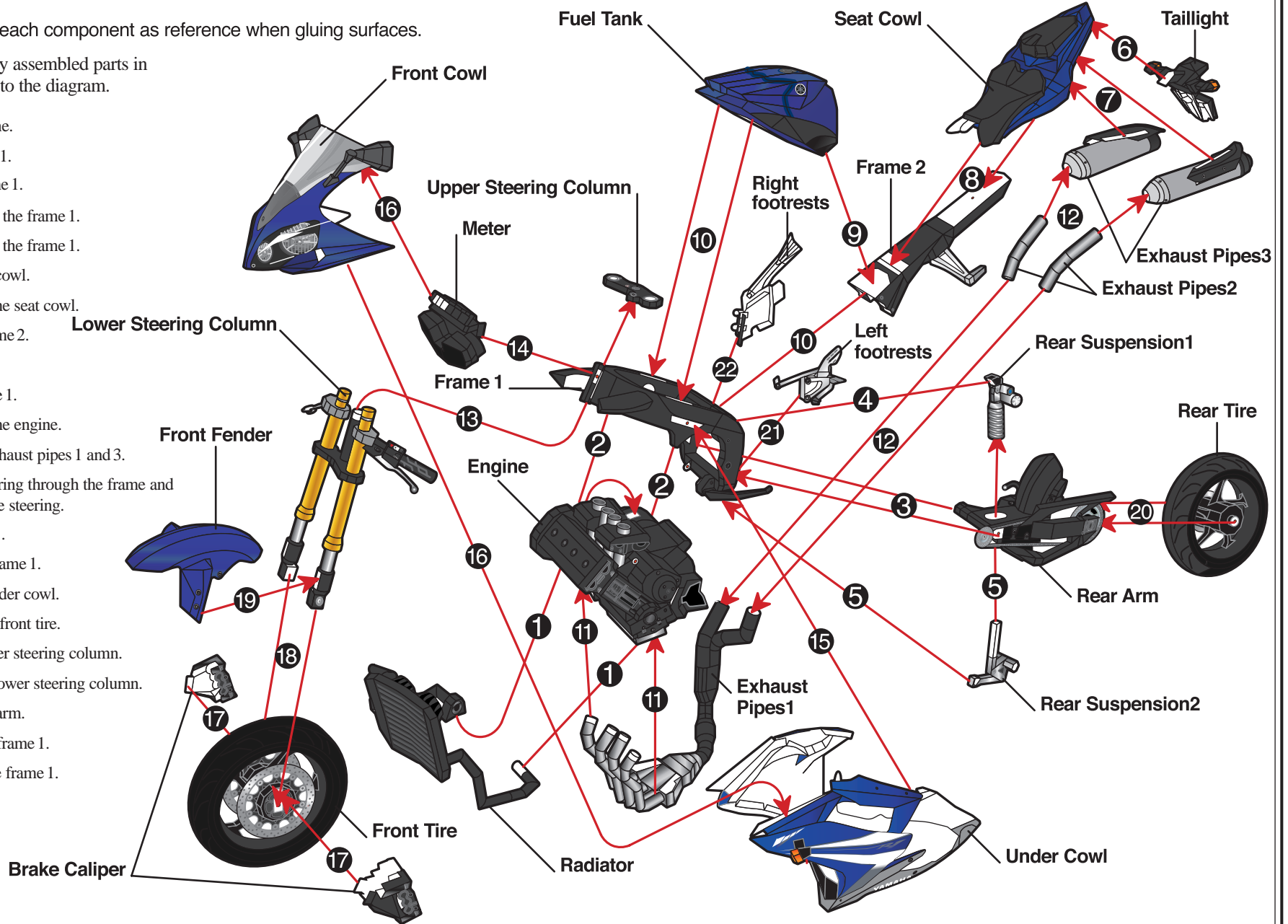


15 Finish

Please use the ● dots on each component as reference when gluing surfaces.

Connect each of the previously assembled parts in order from ① - ②② according to the diagram.

- ① Glue the radiator to the engine.
- ② Glue the engine to the frame 1.
- ③ Glue the rear arm to the frame 1.
- ④ Glue the rear suspension 1 to the frame 1.
- ⑤ Glue the rear suspension 2 to the frame 1.
- ⑥ Glue the taillight to the seat cowl.
- ⑦ Glue the exhaust pipes 3 to the seat cowl.
- ⑧ Glue the seat cowl to the frame 2.
- ⑨ Glue the tank to the frame 2.
- ⑩ Glue the frame 2 to the frame 1.
- ⑪ Glue the exhaust pipes 1 to the engine.
- ⑫ Insert exhaust pipes 2 into exhaust pipes 1 and 3.
- ⑬ Put the lower part of the steering through the frame and glue it to the upper part of the steering.
- ⑭ Glue the meter to the frame 1.
- ⑮ Glue the under cowl to the frame 1.
- ⑯ Glue the front cowl to the under cowl.
- ⑰ Glue the brake caliper to the front tire.
- ⑱ Glue the front tire to the lower steering column.
- ⑲ Glue the front fender to the lower steering column.
- ⑳ Glue the rear tire to the rear arm.
- ㉑ Glue the left footrests to the frame 1.
- ㉒ Glue the right footrests to the frame 1.



16 Assembled Model and the List of Parts

Please refer to the photo below when attaching each component.

RIGHT

FRONT

Exhaust Pipes
Sheet L, 60 parts in total

Seat Cowl
Sheet F, 13 parts in total

Fuel Tank
Sheet D, 2 parts in total



Right footrests
Sheet M, 11 parts in total

Under Cowl
Sheet E, 13 parts in total

Steering
Sheet B, 19 parts in total



Front Cowl
Sheet A, 8 parts in total

16 Assembled Model and the List of Parts

Please refer to the photo below when attaching each component.

LEFT

REAR

Front Tire
Sheet N, 17 parts in total

Engine
Sheet J, 34 parts in total

Rear Tire
Sheet O, 17 parts in total



Front Fender
Sheet B, 3 parts in total

Rear Suspension
Sheet H, 11 parts in total

Left footrests
Sheet M, 6 parts in total



Taillight
Sheet G, 13 parts in total

16 Assembled Model and the List of Parts

Please refer to the photo below when attaching each component.

FRONT

BACK

Frame 1
Sheet c, 18 parts in total

Frame 2
Sheet c, 7 parts in total

Meter
Sheet B, 12 parts in total



Brake Caliper
Sheet B, 6 parts in total

Radiator
Sheet J, 18 parts in total



Rear Arm
Sheet I, 15 parts in total